

ELECTRO-ACOUSTIC TRANSDUCER



ROHS COMPLIANT

PART NUMBER:
BRT2821L-12

SPECIFICATIONS:

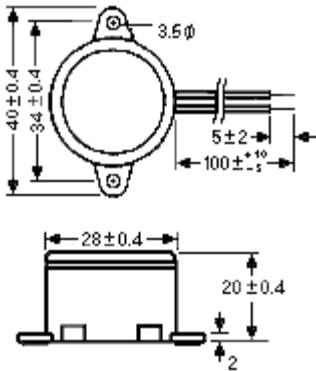
RATED VOLTAGE:	12 VDC
OPERATING VOLTAGE:	9 ~ 15
MAX CURRENT:	40 mA
SOUND OUTPUT LEVEL:	95dB @ 30 cm
TERMINAL TYPE:	2 LEADWIRES
RESONANT FREQUENCY:	2800 ± 200
OPERATING TEMPERATURE:	-20 TO +60°C
TONE MODE:	CONTINUOUS
PULSE RATE:	N/A
COIL RESISTANCE:	NOT APPLIC
COIL IMPEDANCE:	WITH BUILT
FRAME DIAMETER:	28.0 mm
FRAME DEPTH:	20.0 mm
MOUNTING DIMENSIONS:	34.0 mm

COMMENTS:

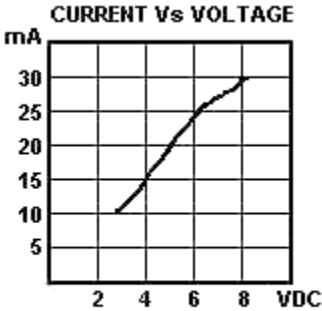
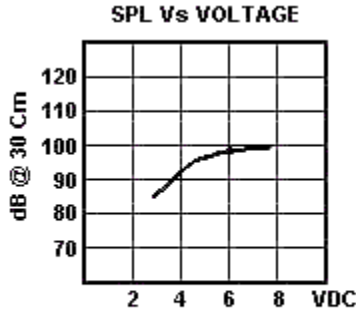
*VALUE APPLYING RATED VOLTAGE (RESONANT FREQUENCY,

**VALUE APPLYING (RESONANT FREQUENCY, SINE WAVE, M

DIMENSIONS:



FREQUENCY RESPONSE:



**Note - Frequency is 2.8 KHz. + 0.2 KHz. from 3 to 8 VDC